

Humidification

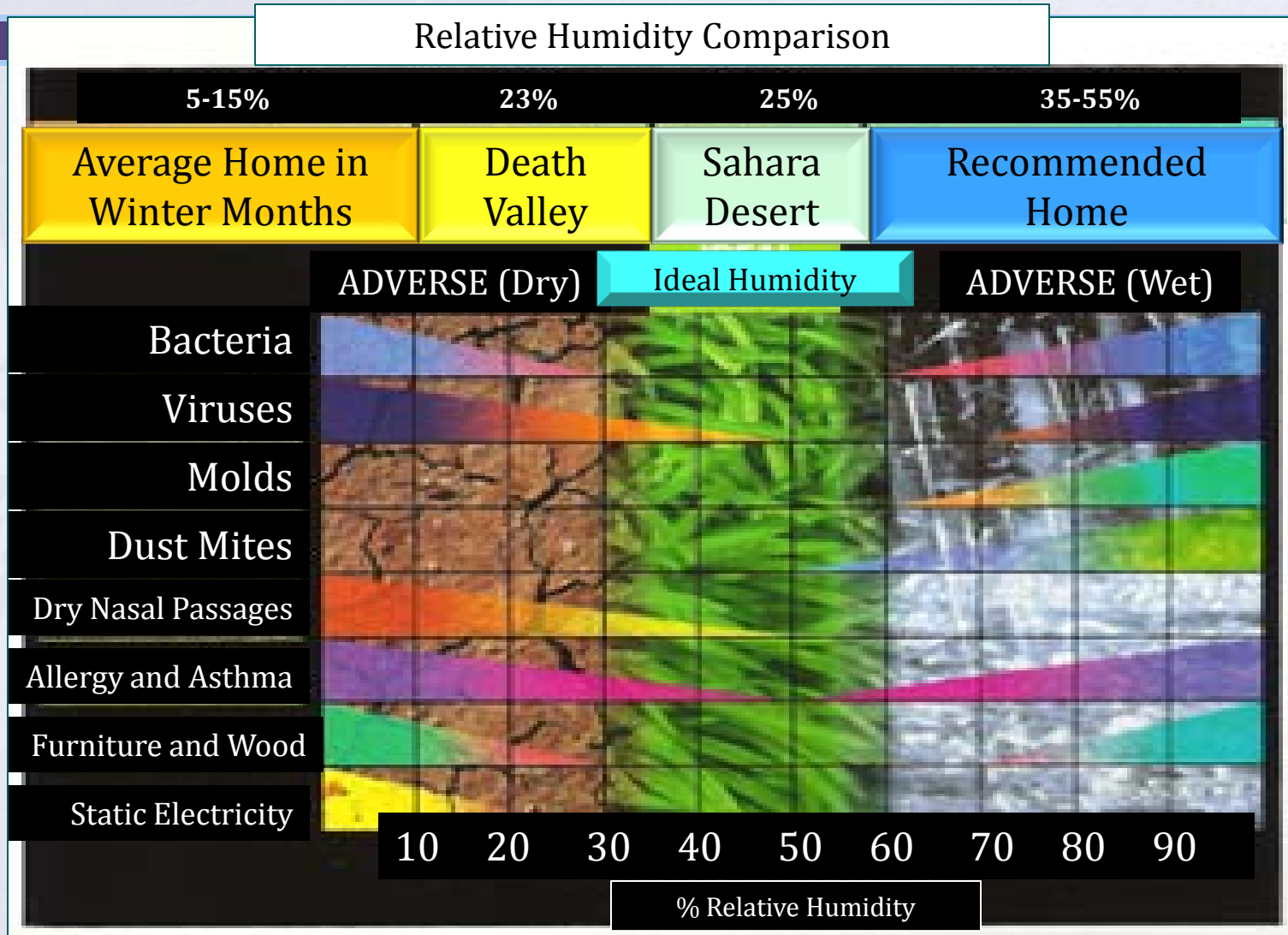
“The Harvard Law states: Under controlled conditions of light, temperature, humidity, and nutrition, the organism will do as it [darn] well pleases.”
Larry Wall

How Your House Dries Out in Winter



- ▶ The humidity level in the average heated home in the winter is 7-12%. Most people are comfortable at 45-50%. A humidifier adds the extra humidity to the air, reducing colds, cracking wood, and out-of-tune pianos.

ASHRAE* Recommended Winter Humidity Levels



* American Society of Heating, Refrigerating, and Air Conditioning Engineers

A Testimony for Humidification: The Problem

- ▶ “My name is Russell Rentmeister and I’ve lived in four homes in Utah, some with humidification and some without. For years I used a bypass humidifier and I noticed that it ran well when I replaced the pad at the beginning of the season, but it couldn’t keep up with the demand in the low temperatures. I tried many different ways to solve this problem but seemed to come up short every time. My family started having problems with severe dry skin and we finally consulted a dermatologist.”

A Testimony for Humidification: The Solution

- ▶ “My dermatologist said each home needs 50 gallons of water in the air a day to maintain good, healthy skin. I installed a steam humidifier, which generates **four times** the humidity a bypass humidifier produces. I can set my humidistat to 50% and my humidifier will now keep up with my demand every time. Since I installed the steam humidifier my family hasn’t had any more problems.”

Is a Humidifier Necessary for You?

TrueSTEAM™ is highly recommended if those living in your home ever experience:

- • Dry skin
- • Dry nasal passages
- • Dry or scratchy throat
- • Chapped lips
- • Unpleasant shocks from carpet or electronics
- • Static cling

Or, if your home has:

- • Hardwood flooring
- • Wood furnishings
- • Paintings or artwork
- • Musical instruments
- • Uncomfortable temperatures in the winter months
- • High utility bills



Steam Humidifier

- Available in 6, 9 and 12 gallon models
- The steam goes directly into your hot air supply duct, rather than evaporating from a wet pad, which requires furnace temperature to produce humidity efficiently.
- TrueSTEAM delivers humidity independent of your furnace. This allows you to achieve ideal humidity levels in your home, year-round.
- TrueSTEAM wastes less water than flow-through humidifiers.
- TrueSTEAM operates automatically, just like a thermostat, to keep your home's humidity at the desired level.
- TrueSTEAM is easy to maintain. Just clean the tank as instructed. The tank is easily accessible and does not require tools to remove it.



How the TrueSteam Humidifier Works



- 1. A call for humidity comes from the humidity control.
- 2. The heating element coil heats water in the tank to the boiling point.
- 3. The resulting steam flows out of TrueSTEAM into the hot air supply duct of your HVAC system.
- 4. Air flow from your furnace fan carries the moisture throughout your home.
- 5. When humidity in your home reaches the setpoint, the humidity call ends and TrueSTEAM stops producing steam. The furnace fan may continue to run until humidity in the duct is completely distributed to your home.
- 6. Sensors monitor water level in the tank. The built-in solenoid valve opens and closes to automatically refill the tank, as needed. During long periods of inactivity, the tank will drain completely to prevent water stagnating. The tank will automatically refill when there is demand for humidity.

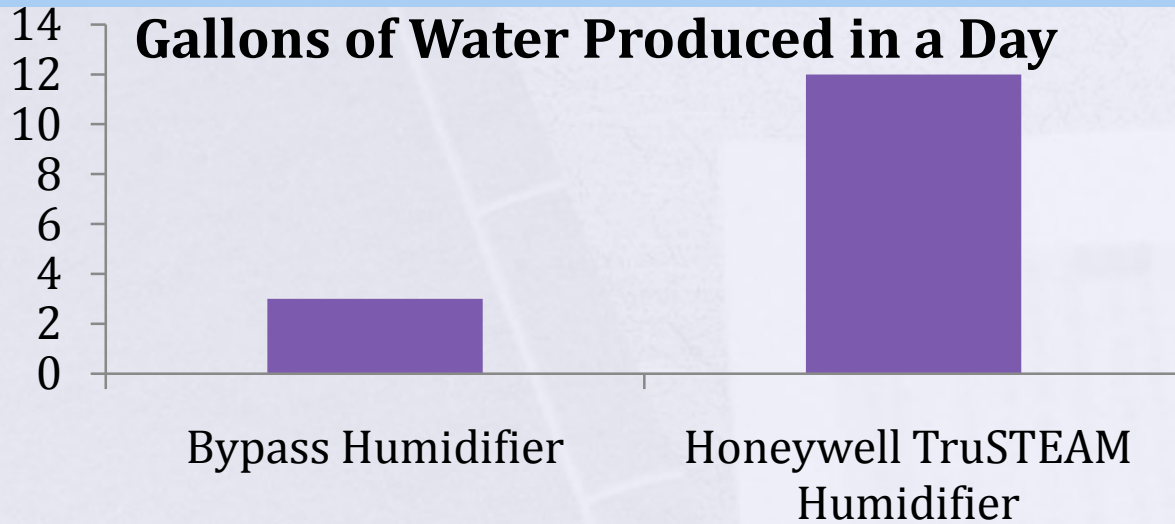
Sizing TrueSTEAM for Your Home

SQUARE FEET OF SPACE	500	1000	1500	2000	2500	3000
ARI* Recommended Output Delivery (GPD)	0.1	2.2	4.4	6.5	8.6	11.7

TrueSTEAM HM512- True 12 Gallons	
TrueSTEAM HM509- True 9 Gallons	
TrueSTEAM HM506- True 6 Gallons	

ARI Guideline F-2007 for tight, residential four-person home with 8' ceilings. Outdoor condition- 20' F and 70% RH

DARE TO COMPARE



TYPE OF HUMIDIFIER	Production Claims	Delivery Rates	Consumption Rates	Use Ratio
Honeywell TrueSTEAM	Claim: 12	12	12	(1:1)
Fan-Powered Humidifiers	Claim: 18	6	24-72	(1:3)
Bypass Humidifiers	Claim: 12	3	12-48	(1:4)

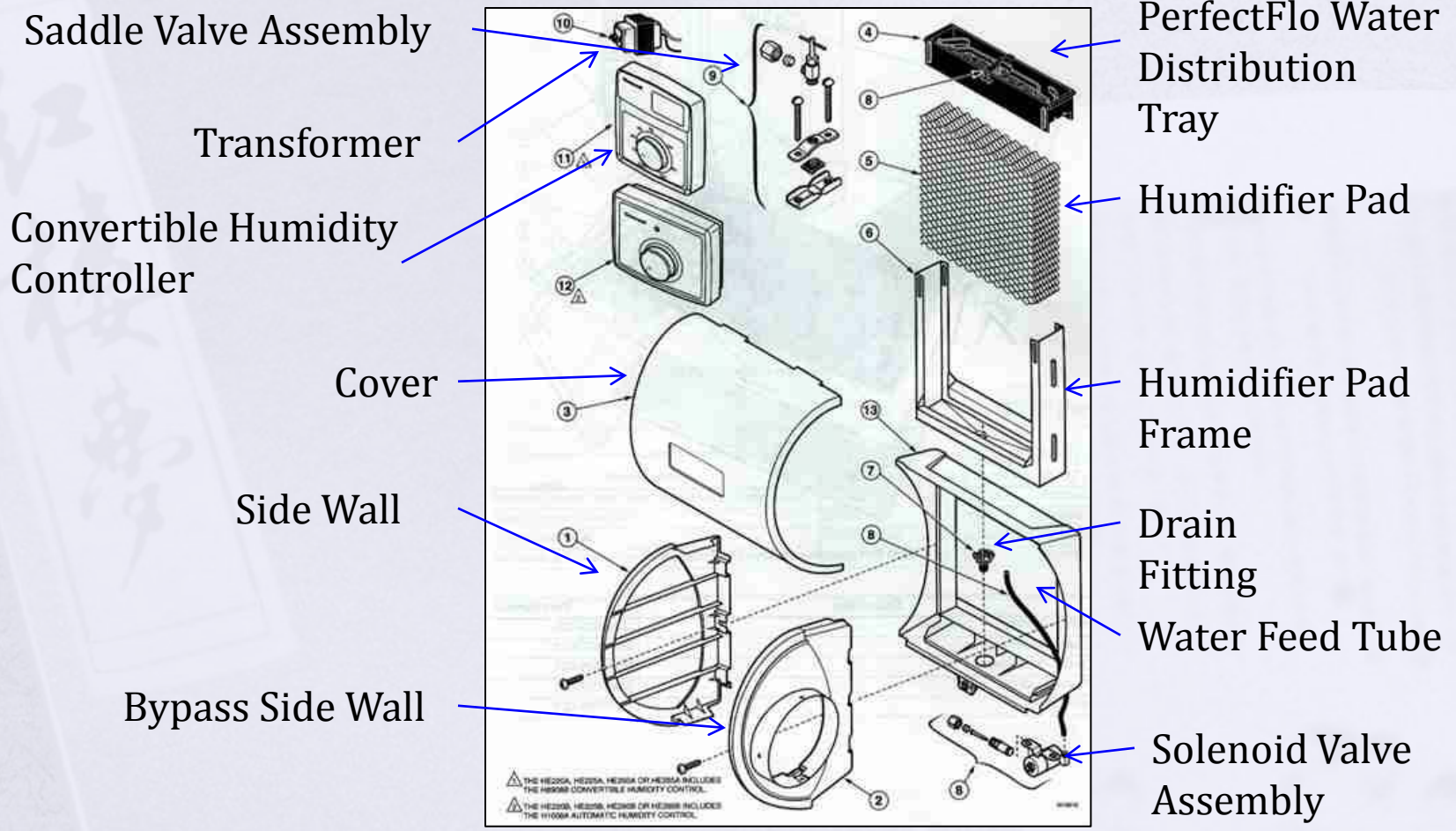
*Does not include auto-flush cycle

Bypass Humidifier

- **Anti-microbial coating on pad prevents the surface growth and migration of bacteria, mold, fungus and algae on the humidifier pad.**
- **Preassembled for quicker installation.**
- **Interior components designed for quick maintenance and service.**
- **Includes easy-to-use humidity control that mounts on the wall or duct for more flexible installation.**
- **Continuous flushing reduces the frequency of maintenance in a hard water installation.**
- **Five-year warranty.**



Honeywell Bypass Humidifiers



Typical Bypass Humidifier Installation Locations

